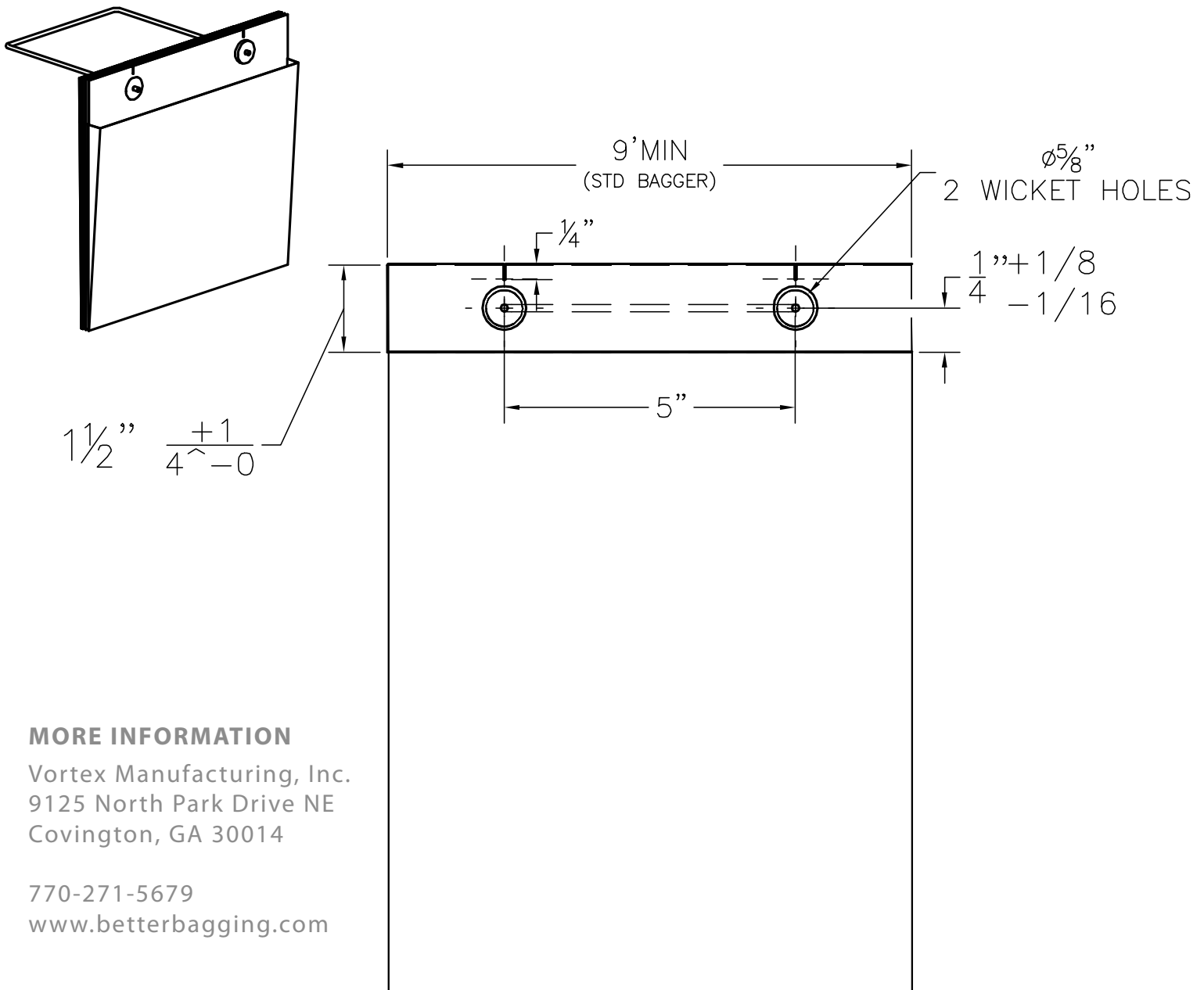


1. Wicket Size: Up to 500 bags per wicket.
2. Centerline distance between wicket holes:
5" on 2,3,5,8,10,15 and 20 lb sizes.
3. Wicket hole size: 5/8" diameter.
4. Length of bag lip : 1 1/2" .
5. Landing area: 3/16 film above wicket hole.
6. Slit (or V-cut) above hole at top of lip: 1/4".
7. Rubber washer:
standard size to hold bags on wicket.
8. Bag widths: varies based on product size:
2 and 3 lb – 10"
5 lb – 10.5" – 12"
8 lb – 11.5" – 12.5"
10 lb – 11.5" – 12.5"
15 lb – 13.0" – 13.5"
20 lb – 13.5" – 14.5"
9. Bag length: Total square inches of existing bag divided by recommended bag width equals bag length.



MORE INFORMATION

Vortex Manufacturing, Inc.
 9125 North Park Drive NE
 Covington, GA 30014

770-271-5679
www.betterbagging.com